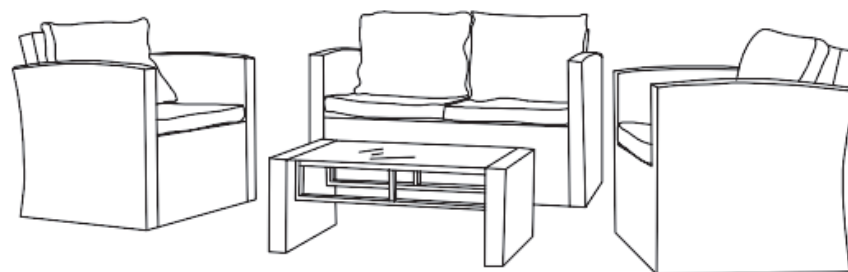
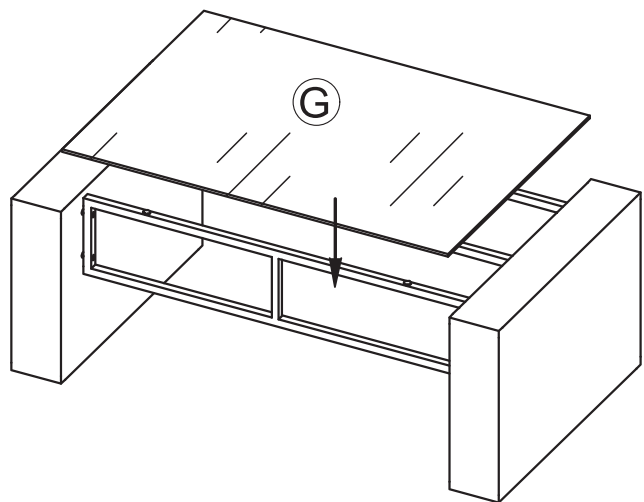


Step8



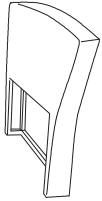
ASSEMBLY INSTRUCTIONS

PARTS AND HARDWARE

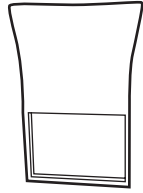
Avoid using sharp objects such as a knife to cut open packing as you may accidentally damage the upholstery.



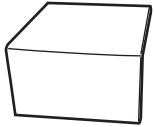
A1,Right Armrest x3



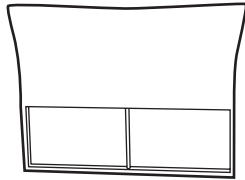
A2,Left Armrest x3



C1,Single Backrest x2



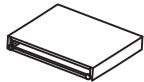
B1,Single Seat x2



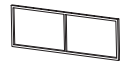
C2,Lovesofa Backrest x1



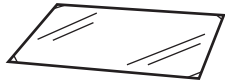
B2,LoveSofa Seat x1



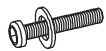
J,Table Leg x2



K,Table Linker x2



G,Table Glass x1



M6x115
L2,Bolt&Washers x6



M6x32
L1,Bolt&Washers x45



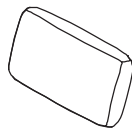
H,Allen Key x1



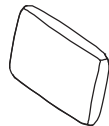
D2,Lovesofa Cushion x2



D1,Single Cushion x2



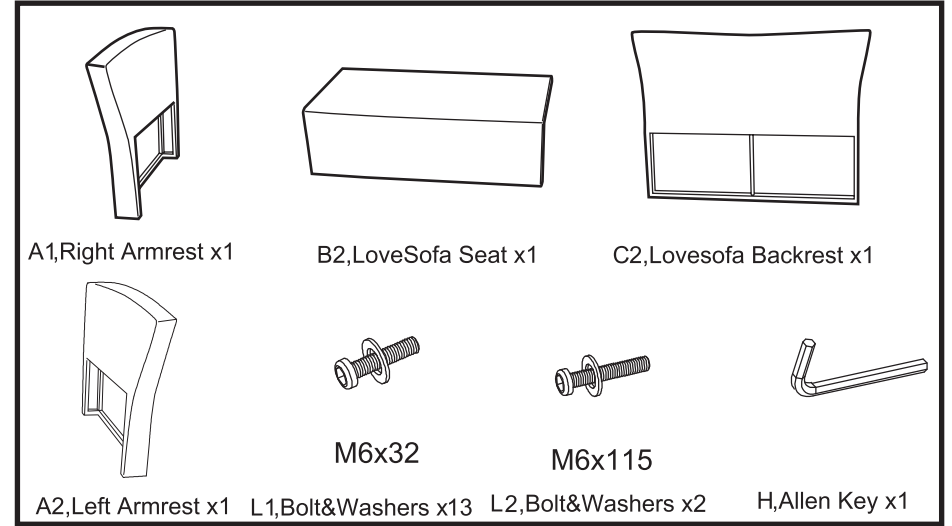
E2,Back Cushion x2



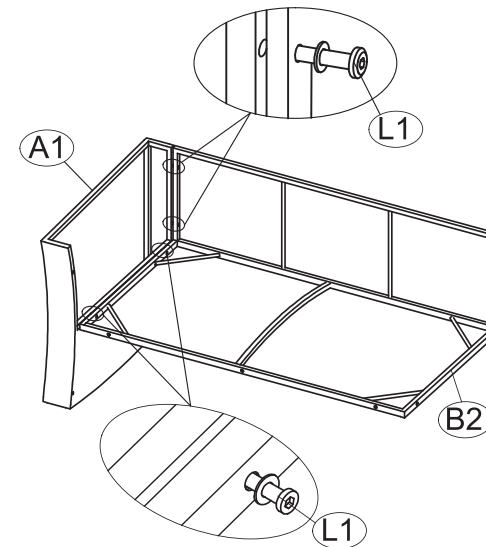
E1,Back Cushion x2

Do not fully tighten bolts until assembly is complete.

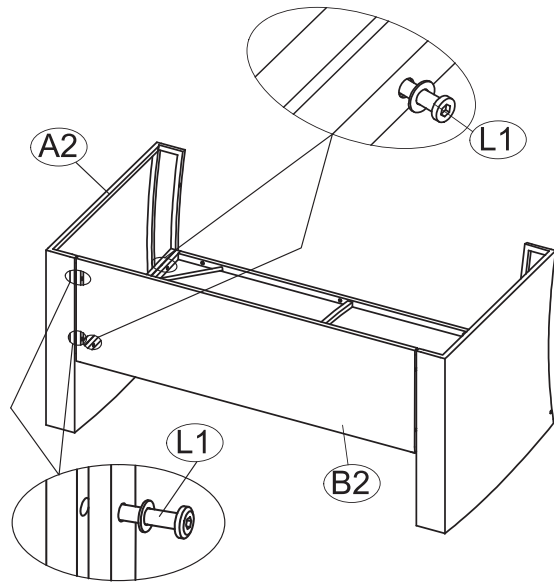
1.Assemble the chair arms (A) and (B) to the seat (F) and the backrest (E), using bolts and washer (J&L).



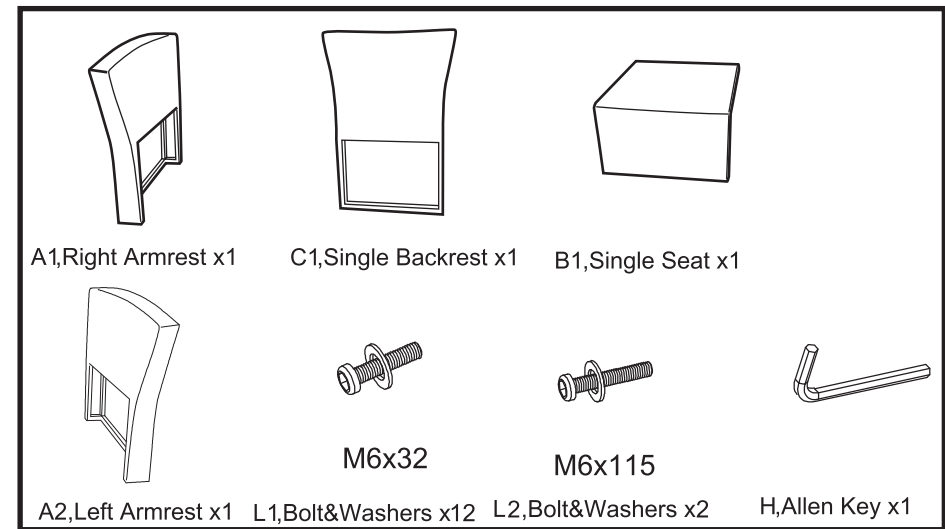
Step1



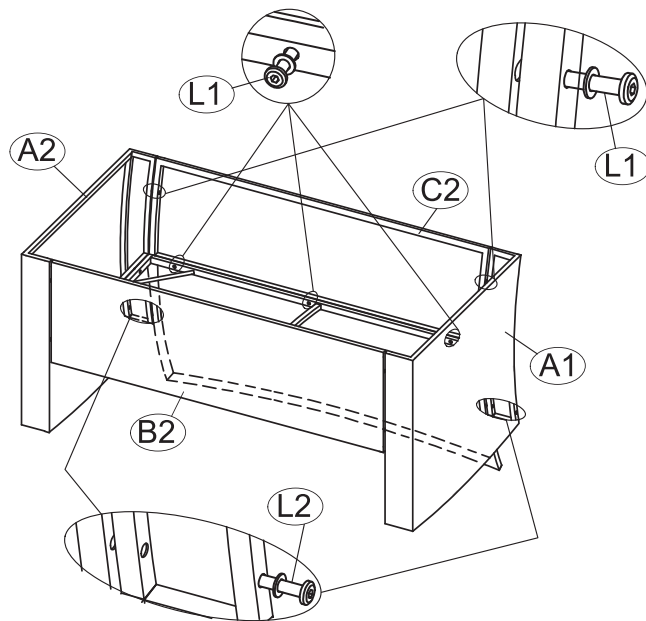
Step2



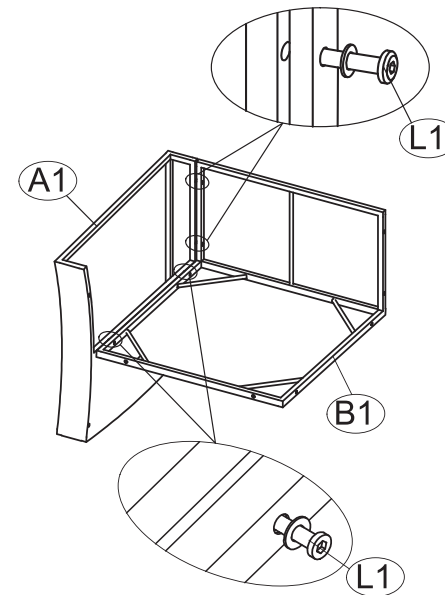
2.Assemble the chair arms (A) and (B) to the seat (D) and the backrest (C), using bolts and washer (J&L).



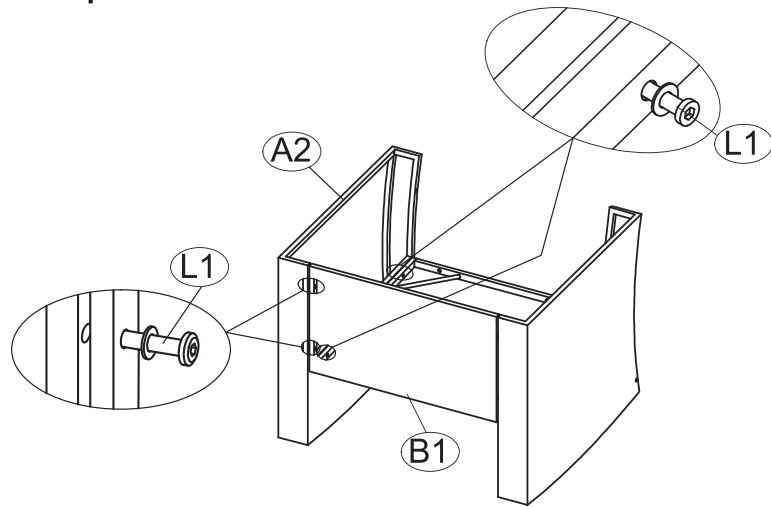
Step3



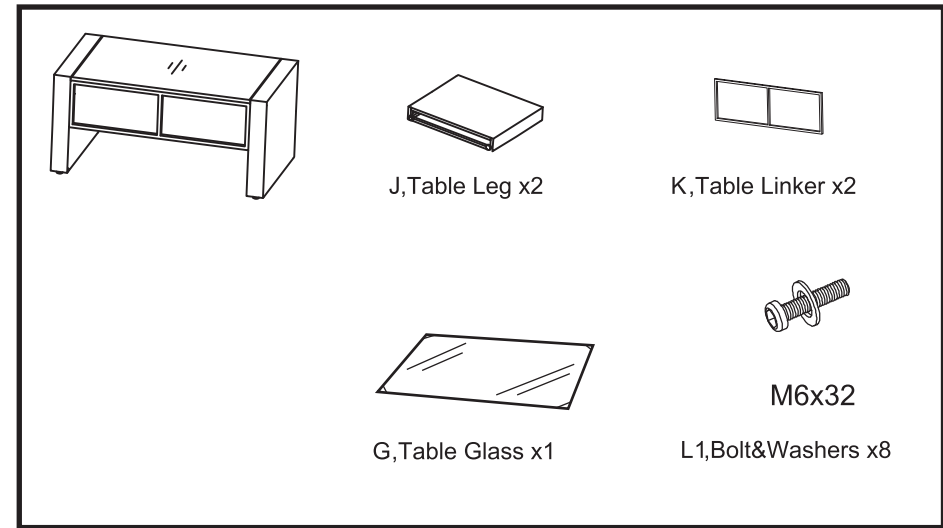
Step4



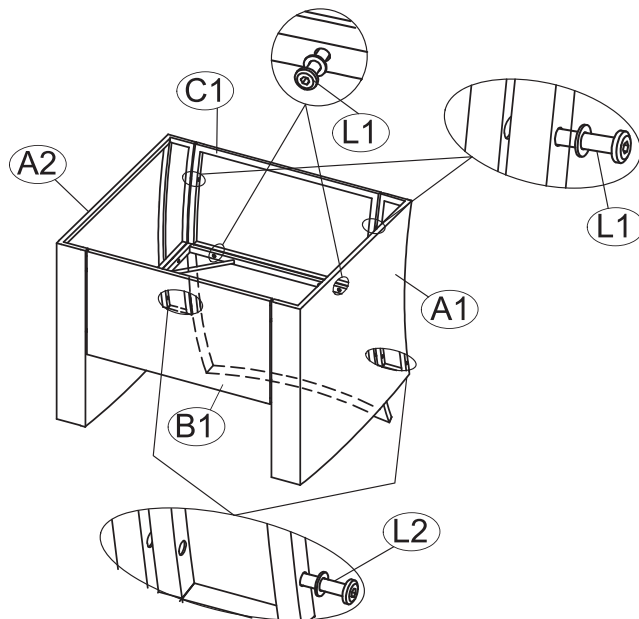
Step5



3. Assemble the table linker (H) to the table leg (G), using bolts and washer (L).



Step6



Step7

